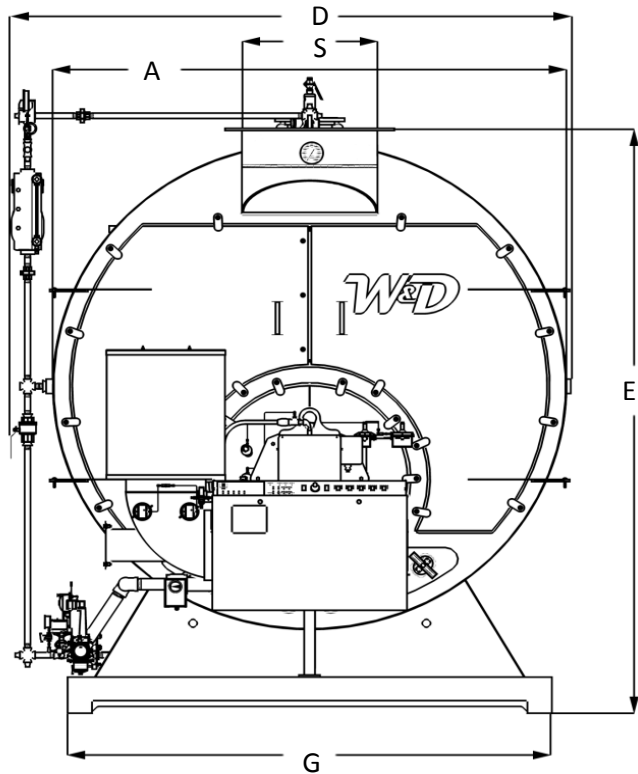


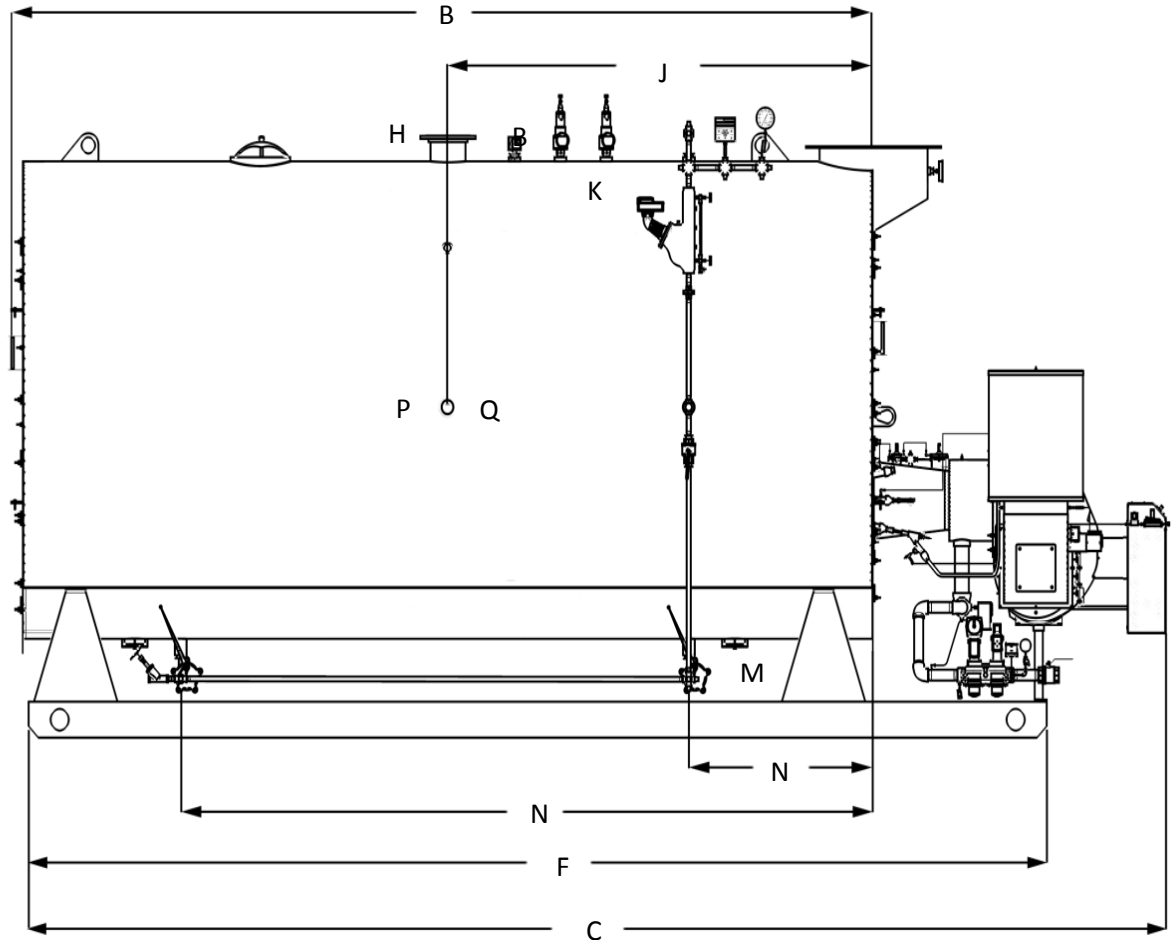


California Special

80 - 1500HP



(Front Side)



(Right Side)

A.S.M.E., stamped and inspected. Welded construction for pressure to 350 psig steam or 160 psig water. Inspected and registered with the National Board of Boiler & Pressure Vessel Inspector. All burners are UL & ULC listed

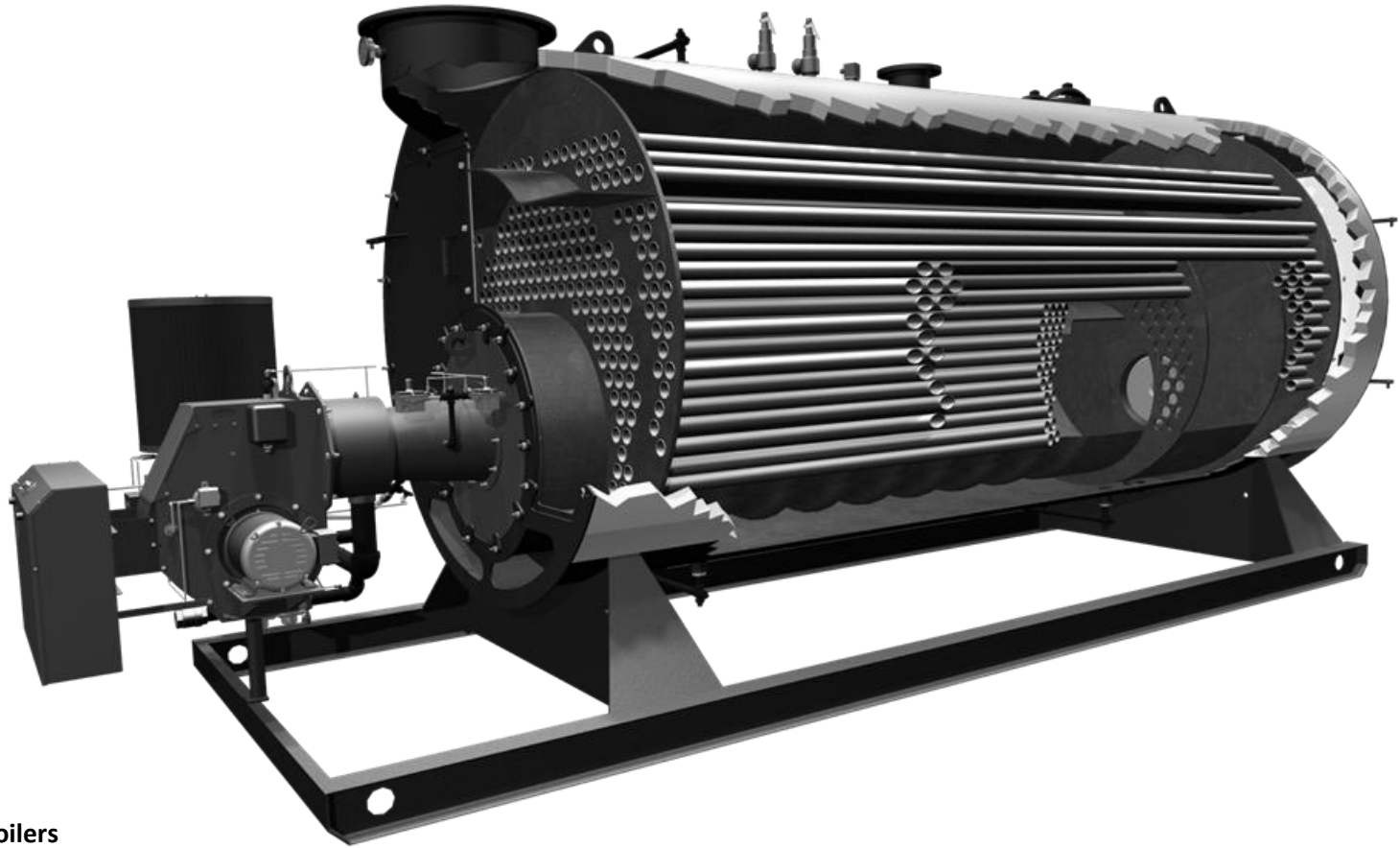


Specifications

MODEL		4080CA	4100CA	4125CA	4150CA	4175CA	4200CA	4250CA	4300CA	4350CA	4400CA	4500CA	4600CA	4700CA	4800CA	
	BOILER HP	80	100	125	150	175	200	250	300	350	400	500	600	700	800	
	HEATING SURFACE	ft ² (m ²)	454 (42)	554 (51)	685 (63)	820 (76)	940 (87)	1070 (99)	1320 (122)	1575 (146)	1835 (170)	2095 (195)	2585 (240)	3097 (288)	3830 (356)	4076 (378)
	STEAM OUTPUT (@212°F)	lbs/hr	2760	3450	4312	5175	6037	6900	8625	10350	12075	13800	17250	20700	24150	27600
	GROSS OUTPUT	MBH	2687	3348	4184	5021	5858	6695	8369	10042	11716	13390	16738	20085	23432	26780
	ENERGY INPUT	MBTU	3360	4200	5250	6300	7350	8400	10500	12600	14700	16800	21000	25200	29400	33600
	BLOWER MOTOR	HP	2	3	3	5	3	3	5	7.5	7.5	10	15	20	40	40
	FIRING RATE - NATURAL GAS	CFH	3360	4200	5250	6300	7350	8400	10500	12600	14700	16800	21000	25200	29400	33600
	FIRING RATE - LP GAS	GPH	36.7	45.9	57.3	68.8	80.3	91.8	114.7	137.7	160.6	183.6	229.5	275.4	321	367
	FIRING RATE - NO.2 FUEL OIL	GPH	24	30	37.5	45	53	60	75	90	105	120	150	180	210	240
	FIRING RATE - NO.5/6 OIL	GPH	22.4	28	35	42	49	56	70	84	98	112	140	168	196	224
A	DIAMETER - OUTER	in.	55	60	67	73	73	76	78	91	91	96	103	109	122	122
B	LENGTH - BOILER	in.	118	147	147	147	147	159	159	169	193	192	218	221	235	246
C	LENGTH - OVERALL	in.	160	158	189	192	192	204	219	215	241	246	275	283	297	308
D	WIDTH - OVERALL	in.	66	72	79	84	84	88	90	102	102	108	114	121	132	132
E	HEIGHT	in.	67	75	82	88	91	94	94	109	109	115	121	127	140	140
F	SKID LENGTH	in.	129	150	150	153	176	174	205	213	213	206	248	254	295	295
G	SKID WIDTH	in.	53	53	59	65	65	70	70	77	83	89	89	95	102	102
H	OUTLET SIZE - 150PSI	in.	2	2 1/2	3	3	4	4	4	6	6	6	6	8	8	8
	OUTLET SIZE - 15/30PSI	in.	6	8	8	8	8	8	8	10	10	10	12	12	12	12
J	OUTLET LOCATION	in.	57	69	69	72	82	75	84	111	110	110	133	136	144	168
K	RELIEF VALVE CONNECTION	NPT	1 1/2	1 1/2	1 1/2	1 1/2	1 1/2	1 1/2	1 1/2	2	2	2 1/2	2 1/2	2 1/2	2 1/2	2 1/2
M	BLOWDOWN CONNECTION	NPT	2	2	2	2	2	2	2	2	2	2	2	2	2	2
N	BLOWDOWN LOCATION	in.	22-91	21-108	29-109	31-109	31-132	31-120	31-151	37-158	37-158	37-151	37-202	37-209	27-223	51-247
P	FEEDWATER CONNECTION	NPT	1	1	1	1 1/2	1 1/2	2	2	2	2	2	2	2	2	2
Q	FEEDWATER LOCATION	in.	37	39	42	42	44	44	44	50	50	50	50	50	130	130
S	EXHAUST DIAMETER	in.	16	16	18	20	20	20	20	24	24	24	24	24	24	24
	TUBE REMOVAL DIST. - FRONT	in.	86	107	102	105	128	113	142	154	154	146	180	188	192	216
	TUBE REMOVAL DIST. - REAR	in.	84	105	96	103	126	101	132	144	144	136	176	184	188	212
	CRATE VOLUME	ft ³	692	774	905	1027	1145	1331	1510	1775	1982	2151	2562	2883	3874	4190
	WATER CAPACITY - OPERATING	gal	429	429	681	945	1072	1169	1332	1628	1925	2250	2780	3707	3019	4017
	WATER CAPACITY - FLOODED	gal	492	564	793	1130	1397	1410	1553	2147	2530	2829	3557	4611	4838	5513
	APP. SHIPPING WT. - 150PSI	lbs	7150	8200	10400	13000	16440	16600	20500	25000	27600	30000	37500	44000	52000	60000
	APP. SHIPPING WT. - 15/30PSI	lbs	6850	7200	11200	11750	13100	13700	18500	23000	25500	28000	35000	41000	49000	55000
	MODEL		4080CA	4100CA	4125CA	4150CA	4175CA	4200CA	4250CA	4300CA	4350CA	4400CA	4500CA	4600CA	4700CA	4800CA



Specifications



Series 4000CA
2010-1101
Williams & Davis Boilers
2044 I. 45 S.
Hutchins, Texas USA 75141
Call 972-225-2356
Fax 972-225-5739
www.wdboiler.com

W&D Boilers®

© 2009 Williams & Davis Boilers. All rights reserved Printed in USA E100114-2DSPEC(1)

