



Specifications

Series 3000W

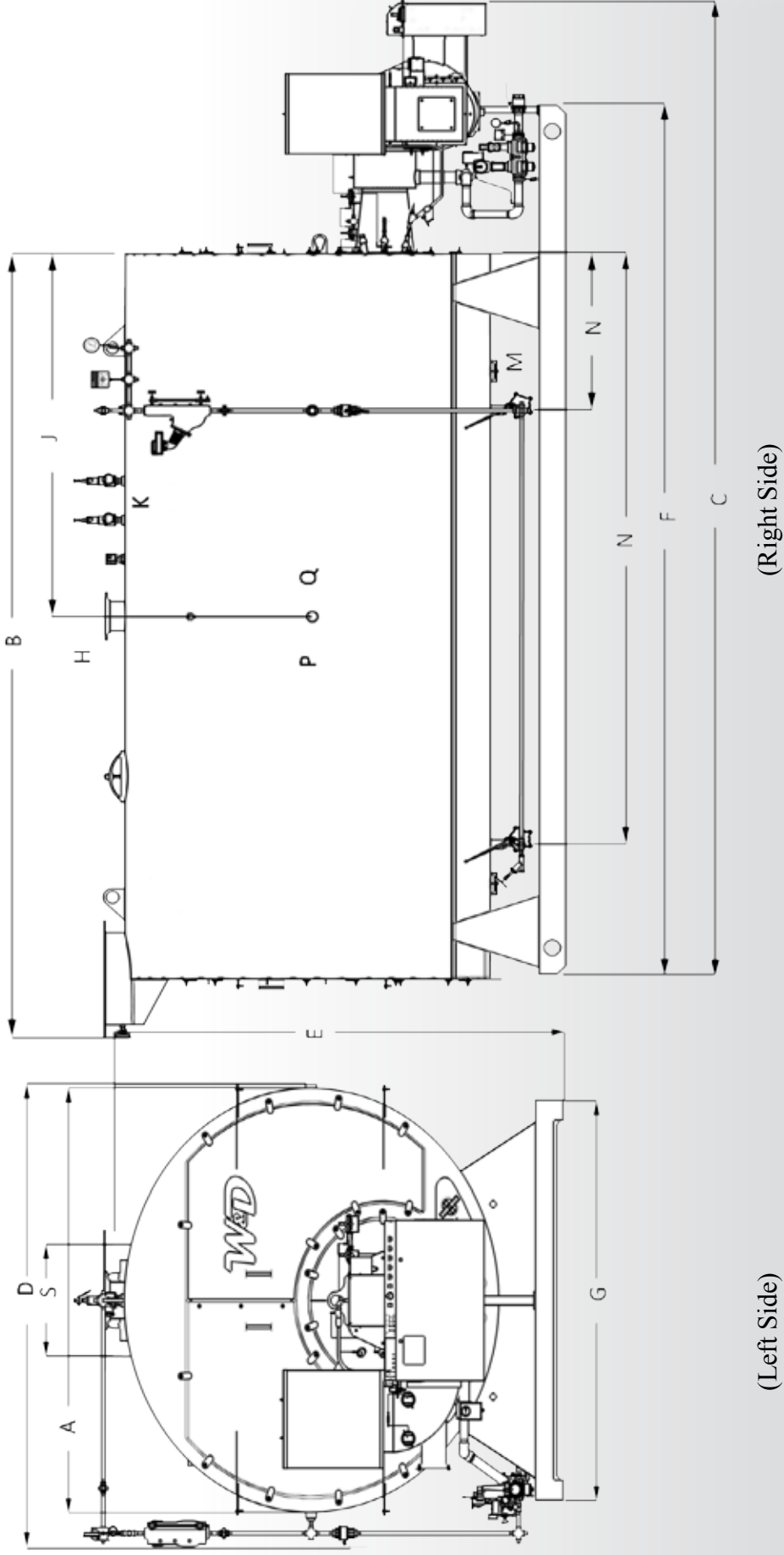


(Shown with an optional model "B" feed-water system)

**SIZES 80HP THROUGH 800HP
GAS, OIL OR COMBINATION BURNER
FIRETUBE HOT WATER & PRESSURE STEAM BOILERS**



Series 3000W 80-800HP



(Left Side)

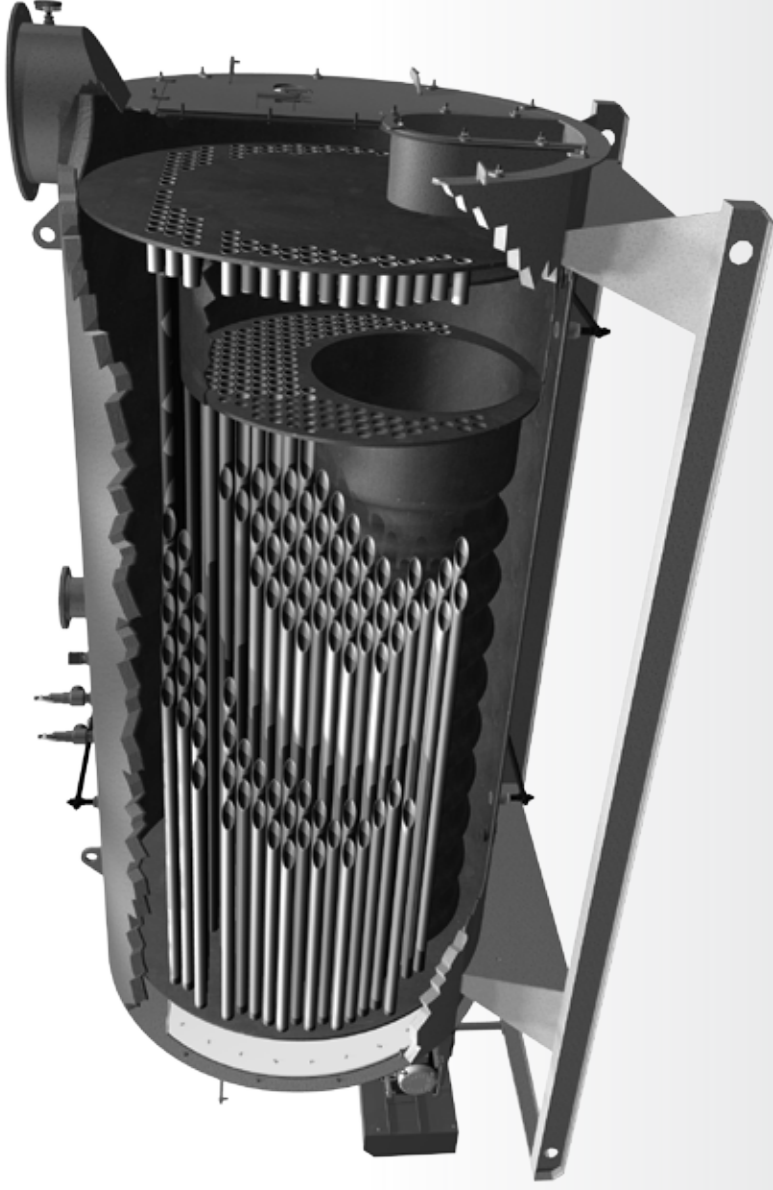
(Right Side)

A.S.M.E., stamped and inspected. Welded construction for pressure to 350 psig steam or 160 psig water. Inspected and registered with the National Board of Boiler & Pressure Vessel Inspector. All burners are UL & ULC listed.

Specifications

MODEL	3080W	3100W	3125W	3150W	3175W	3200W	3250W	3300W	3350W	3400W	3500W	3600W	3700W	3800W
BOILER HP	80	100	125	150	175	200	250	300	350	400	500	600	700	800
HEATING SURFACE	454 (42)	554 (51)	685 (63)	820 (76)	940 (87)	1070 (99)	1320 (122)	1575 (146)	1835 (170)	2085 (196)	2585 (240)	3097 (288)	3630 (356)	4076 (378)
STEAM OUTPUT (@212°F)	2760	3450	4312	5175	6037	6900	8625	10350	12075	13800	17250	20700	24150	27600
GROSS OUTPUT	2687	3348	4184	5021	5858	6695	8369	10042	11716	13390	16738	20085	23432	26780
ENERGY INPUT	3360	4200	5250	6300	7350	8400	10500	12600	14700	16800	21000	25200	29400	33600
BLOWER MOTOR	2	3	3	5	3	3	5	7.5	7.5	10	15	20	40	40
FIRING RATE - NATURAL GAS	3360	4200	5250	6300	7350	8400	10500	12600	14700	16800	21000	25200	29400	33600
FIRING RATE - LP GAS	36.7	45.9	57.3	68.8	80.3	91.8	114.7	137.7	160.6	183.6	229.5	275.4	321	367
FIRING RATE - NO.2 FUEL OIL	24	30	37.5	45	53	60	75	90	105	120	150	180	210	240
FIRING RATE - NO.5/6 OIL	22.4	28	35	42	49	56	70	84	98	112	140	168	196	224
DIAMETER - OUTER	55	60	67	67	73	73	79	91	91	97	103	109	119	119
LENGTH - BOILER	117	112	123	149	167	167	171	189	191	191	209	218	203	226
LENGTH - OVERALL	167	163	179	205	223	223	229	230	250	260	281	297	282	311
WIDTH - OVERALL	66	72	79	84	84	84	92	103	103	109	115	121	136	136
HEIGHT	67	75	82	88	91	94	94	109	109	115	121	127	140	140
SKID LENGTH	129	150	150	153	176	174	205	213	213	206	248	254	295	295
SKID WIDTH	53	53	59	65	65	70	70	77	83	89	89	95	102	102
OUTLET SIZE - 150PSI	2	2 1/2	3	3	4	4	4	6	6	6	6	8	8	8
OUTLET SIZE - 15/30PSI	6	8	8	8	8	8	8	10	10	10	12	12	12	12
OUTLET LOCATION	57	69	69	72	82	75	84	111	110	110	133	136	144	168
RELIEF VALVE CONNECTION	1 1/2	1 1/2	1 1/2	1 1/2	1 1/2	1 1/2	1 1/2	2	2	2 1/2	2 1/2	2 1/2	2 1/2	2 1/2
BLOWDOWN CONNECTION	2	2	2	2	2	2	2	2	2	2	2	2	2	2
BLOWDOWN LOCATION	22-91	21-108	29-109	31-109	31-132	31-120	31-151	37-158	37-158	37-151	37-202	37-209	27-223	51-247
FEEDWATER CONNECTION	1	1	1	1 1/2	1 1/2	2	2	2	2	2	2	2	2	2
FEEDWATER LOCATION	37	39	42	42	44	44	44	50	50	50	50	50	130	130
EXHAUST DIAMETER	16	16	18	20	20	20	20	24	24	24	24	24	24	24
TUBE REMOVAL DIST. - FRONT	86	107	102	105	128	113	142	154	154	146	180	188	192	216
TUBE REMOVAL DIST. - REAR	84	105	96	103	126	101	132	144	144	136	176	184	188	212
CRATE VOLUME	692	774	905	1027	1145	1331	1510	1775	1982	2151	2562	2883	3874	4190
WATER CAPACITY - OPERATING	429	429	681	945	1072	1169	1332	1628	1925	2250	2780	3707	3019	4017
WATER CAPACITY - FLOODED	492	564	793	1130	1397	1410	1553	2147	2530	2829	3657	4611	4838	5513
APP. SHIPPING WT. - 150PSI	7150	8200	10400	13000	16440	16600	20500	25000	27600	30000	37500	44000	52000	60000
APP. SHIPPING WT. - 15/30PSI	6850	7200	11200	11750	13100	13700	18500	23000	25500	28000	35000	41000	49000	55000
MODEL	3080W	3100W	3125W	3150W	3175W	3200W	3250W	3300W	3350W	3400W	3500W	3600W	3700W	3800W

Specifications



Series 3000W
2010-1101
Williams & Davis Boilers
2044 I. 45 S.
Hutchins, Texas USA 75141
Call 972-225-2356
Fax 972-225-5739
www.wdboiler.com



W&D Boilers®